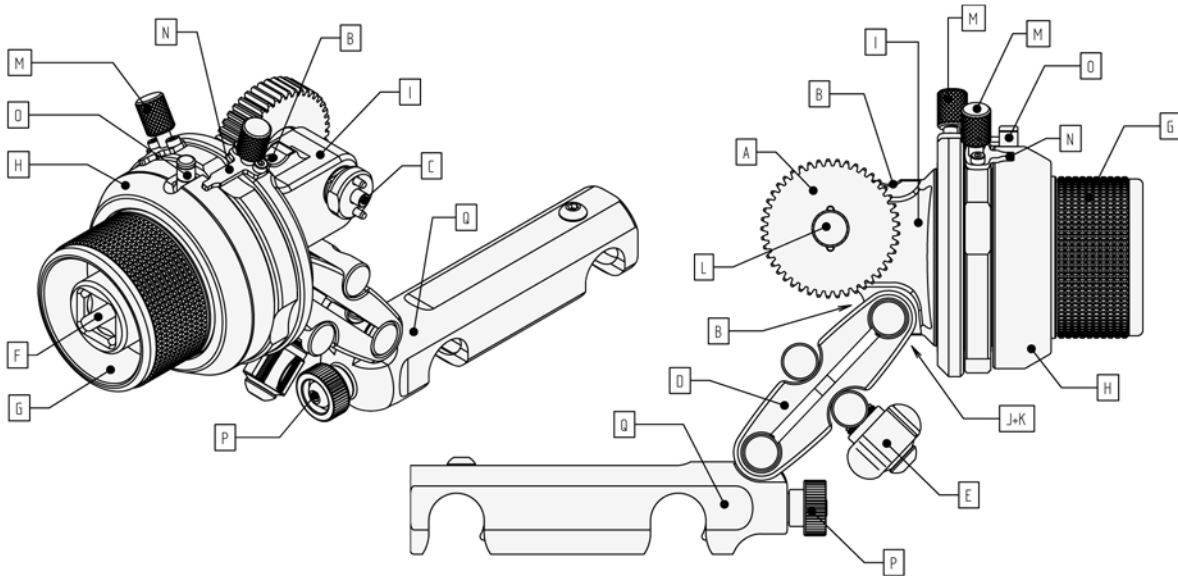


Please read this manual carefully before using the Alphatron ProPull Follow Focus!

CAUTION

Please be cautious when using the Alphatron ProPull Follow Focus on lenses with a stiff/rigid turning focus ring. In this particular case excessive force on the focus knob could lead to damaging the internal gear drive of the Follow Focus unit.



A	Focus Gear M0.8 45 teeth (standard)	J	Hex bold (M4x10 DIN912) to fix the clamp arm
B	Mounting hole clamp arm	K	Spring washer (4 DIN7980)
C	Gear flange (on either side of the unit)	L	Gear lock
D	Adjustable clamp arm	M	Knob of the hard-stop
E	Clamp knob	N	Hard stop indicator
F	Accessory mount (star knob/speed crank/whip)	O	Blocking switch
G	Focus knob	P	Locking knob 15mm dual rod clamp
H	Marking scale	Q	Dual 15mm rod clamp
I	Focus housing		

Changing the focus gear

To change the focus gear (**A**) please unscrew the "gear lock" (**L**) counter clockwise. When the gear lock is loosened the gear can slide off the gear flange (**C**). The focus gear can be positioned left or right side of the housing. When using the follow focus on lenses with the focus ring near to the camera body, its advisable to use the gear on the side closed to the camera.

Changing marking scale

The scale (**H**) uses magnetic fixation. To take off the scale, please grasp both sides and pull off the scale. For mounting; slide the scale over the focus knob and align the notch with the blocking switch (**O**) until it snaps into place.

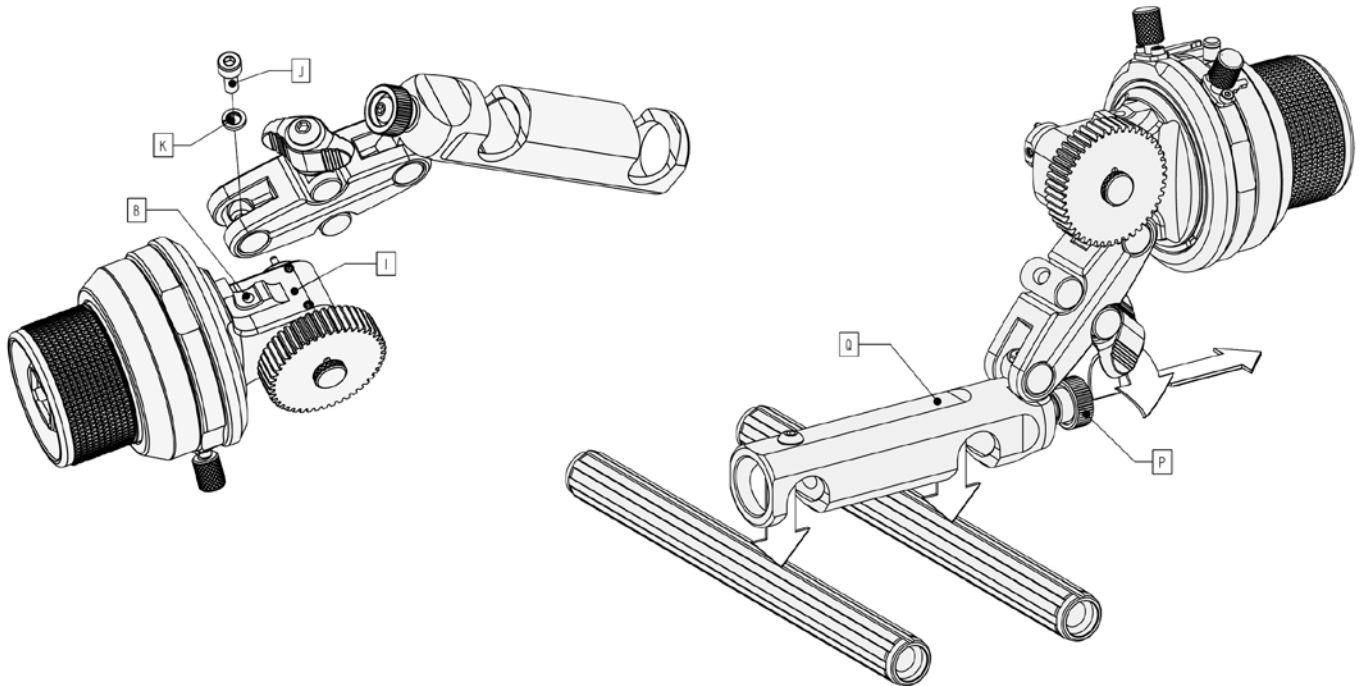
It's advised to use a pencil or standard fine liner for setting the marks. Don't use permanent marking pens for setting the marks. The marking scales are also sold separately as a spare item.

Mounting the follow focus unit

The dual rod follow focus unit is design for use with the standard 15mm rod system. Before clamping the follow focus to the rods ensure that knob (**P**) is screwed outward to unlock the clamping mechanism.

Position the dual rod clamp (**Q**) above the 15mm rods system and push the clamp over the rods until they are fully inserted. When the rods are fully inserted, tighten knob (**P**) until the clamp is fixed to the rods.

*Note: when the rods cannot be fully inserted most likely knob (**P**) isn't screwed outward enough.*



Changing the rotation direction

Not all lenses use the same focus direction, for instance Canon lenses focus the opposite direction as Nikon. You can change the direction by flipping the focus housing (**I**) in relation to the clamp arm (**D**). Please note that the focus housing (**I**) has two mounting holes (**B**) one at the top and one at the bottom.

Please unscrew bolt (**J**), flip the focus housing (**K**) and reattach bolt (**J**) in the mounting hole of the clamp arm (**B**). Do not forget to place the spring washer (**K**) before placing bolt (**J**).

Change the angle of the focus unit

The focus housing (**I**) can be set to different angles. Please unscrew the clamp knob (**E**) and tilt the focus housing up or down to the desired angle. Ensure that the focus-gear is pressed gently to the lens-gear and tighten clamp knob (**E**).

Change lenses

If you want to change a lens, please loosen clamp knob (**E**), tilt away the focus unit and tighten the clamp knob again. There is now room for changing the lens. After changing the lens please loosen the clamp knob, set the focus unit to the desired angle and gently press the focus-gear to the lens strip and finally tighten the clamp knob.

Alphatron Broadcast Electronics B.V.

This instruction manual is prepared with care, although no responsibility, financial or otherwise, is accepted for any consequences related the information stated in this instruction manual. All specifications in this instruction manual are subject to change without notice.

For more information please visit the Alphatron Broadcast website: www.alphatron.tv